

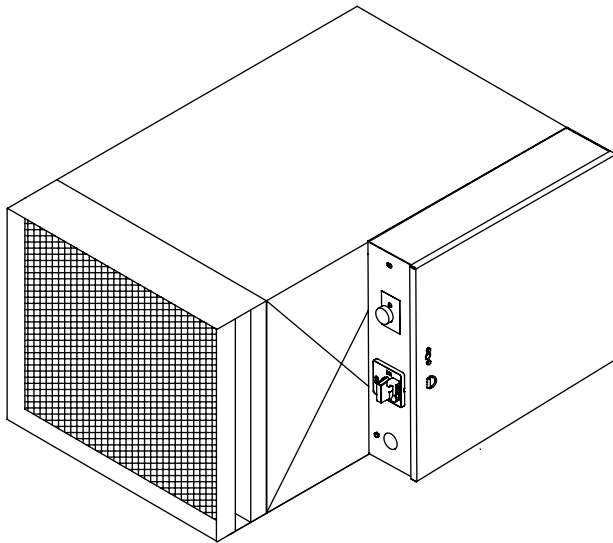
INSTALLATION AND OPERATION INSTRUCTIONS
'HR' SERIES
(HOT ROOM)

INSTALLATION
INSTRUCTIONS



TPI Corporation
P.O. Box 4973
Johnson City, TN
37602-4973

America's Comfort Conditioning Company



SAVE THESE INSTRUCTIONS

Caution: To prevent electric shock disconnect power to heater at main service before wiring or service.

Caution: Do not obstruct the front of the heater with curtains, furniture, doors, etc. Proper operation of the heater requires a free flow intake and exhaust of air.

GENERAL SAFETY REQUIREMENTS

- **DO NOT** use as a comfort heater. Unit Discharge temperatures are above 150°F, All people and pets must vacate the area when in operation.
- **REMOVE** any items that cannot tolerate the elevated ambient temperatures such as plants, candles or aerosol cans.
- **DO NOT** allow the unit to get wet or use in wet locations.
- **ALWAYS** Disconnect unit from power when not in use.
- **ALWAYS** Disconnect unit from power for cleaning or maintenance.
- **DO NOT** use an extension cord.
- **WARNING:** To avoid risk of fire, electrical shock or serious injury, follow all instructions.

OPERATION

The "HR" series heater is designed to be used alone. It is recommended that proper sizing of the unit to insure the area to be heated reaches the required temperature.

The thermostat operating range is 120° F minimum to a maximum of 150°F. **WARNING: All people and objects that cannot tolerate the elevated temperatures must be removed from the area to be heated.** This heating unit is equipped with both automatic and manual reset thermal controls and an airflow switch that will de-energize the heater in case of an abnormal situation.

1. Position the main heater unit to allow the most effective heating of the area.
2. Attach power leads to the unit disconnect following all local and NEC requirements. See unit data label for ratings
3. Set thermostat to desired level. If a remote thermostat is required, see wiring instructions on wiring diagram. The maximum recommended thermostat set point is 150° F. Exceeding this temperature will cause nuisance tripping of the safety limits.
4. Turn main disconnect to the "ON" position, the fan will come on.
5. Once the unit has been turned off allow the room to cool before entering.

CLEANING AND MAINTENANCE

DISCONNECT POWER AT SOURCE BEFORE ANY CLEANING OR MAINTENANCE

1. Any maintenance or parts replacement should be done by qualified personnel. Contact factory for replacement parts.
2. To clean unit, remove side panels on rear of unit and use an air hose or vacuum to remove airborne contaminants that may have settled on the motor or blower. The elements may be cleaned in the same fashion. Replace all covers after cleaning. It is not recommended that liquid cleaners be used. If you do, allow unit to completely dry before using.

